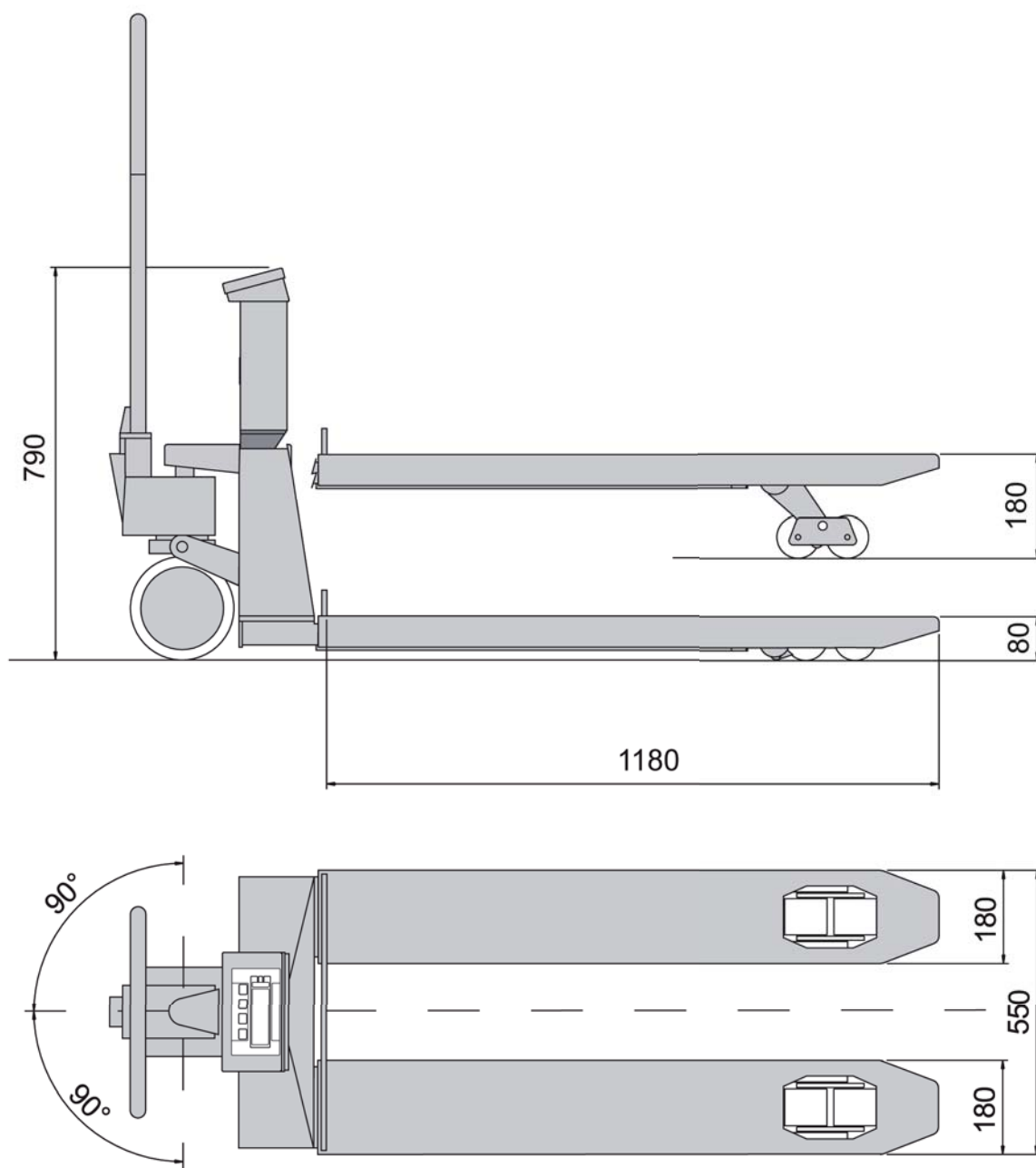


# TPWLKI



Dimensions in mm